



## PRODUCT OVERVIEW

The Unidex range is our original and oldest range of Selective Pallet Racking, having stocked and sold it for 10 years. Over that time, we have fitted out supply warehouses, manufacturing facilities, retail centres, and other storage and distribution facilities with this range. Hence, we are confident that it lasts. The design has not changed since, so if you are looking at adding to an existing system, it will very likely match this range.

## KEY FEATURES

- Safety locking system that locks together
- Easy to assemble and modify as required
- Long lasting galvanised uprights
- Powder coated beams with 4 hook connectors
- Various lengths, widths, heights available
- Heavy duty base plates

## PALLET RACKING COMPONENTS

### Upright

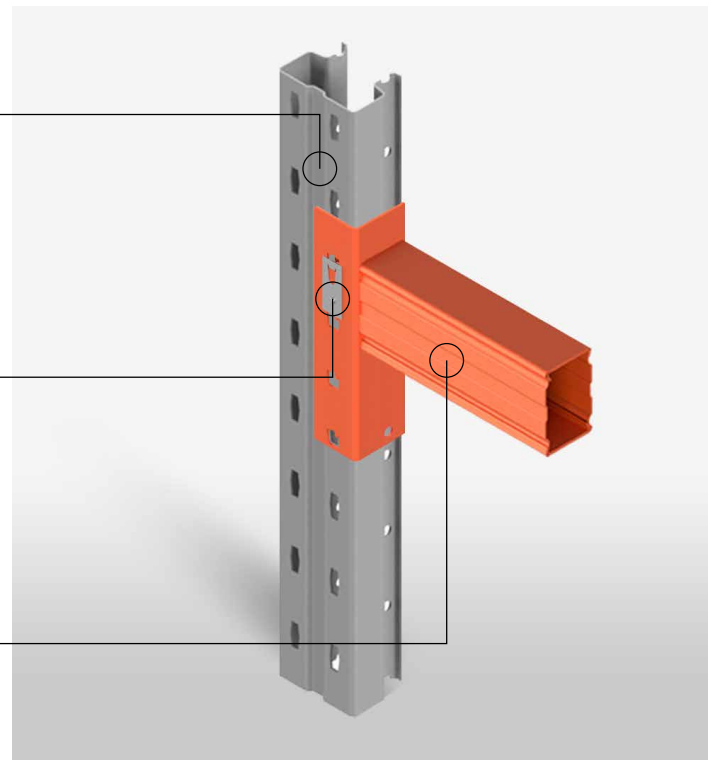
Standard uprights come in a galvanised finish, bringing all the rigour and safety of AS4084 standard compliance. Uprights are made with high strength steel ensuring they have maximum durability and structural robustness.

### Locking Pins

Fitted as standard, spring loaded pins safely lock in place preventing the beam from accidentally being dislodged. Uplift load in accordance with AS4084.

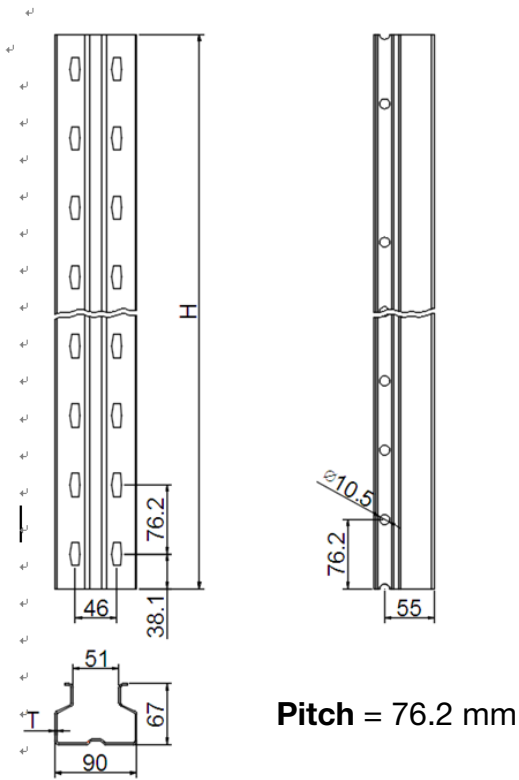
### Beam

Most beam are provided with four hook connectors. Four-point connectivity provides increased stiffness between the upright and the beam, which increases the beam's load carrying capacity and the lateral stability of the rack structure.



## PALLET RACKING UPRIGHTS WITH DIMENSIONS

High solidity and smart section design are combined to provide maximum upright strength at minimum cost. The Unidex design is one of the most tried and tested on the market, having been used for over 20 years. This makes it the perfect choice: Not only is it reliable but mostly compatible with existing systems.



### Upright

Supplied with galvanised uprights

### Standard Upright

838 mm wide

### Extra Wide Upright

1219 mm wide

## PALLET RACKING UPRIGHTS | UNIDEX RANGE

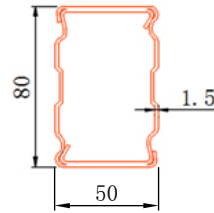
| Code         | Height  | Style                | Load Rating | RRP<br>inc GST |
|--------------|---------|----------------------|-------------|----------------|
| PRU914-838   | 914 mm  | 838 mm (Standard)    | 9000 kg     |                |
| PRU2438-838  | 2438 mm | 838 mm (Standard)    | 9000 kg     |                |
| PRU3048-838  | 3048 mm | 838 mm (Standard)    | 9000 kg     |                |
| PRU3658-838  | 3658 mm | 838 mm (Standard)    | 9000 kg     |                |
| PRU4267-838  | 4267 mm | 838 mm (Standard)    | 9000 kg     |                |
| PRU4877-838  | 4877 mm | 838 mm (Standard)    | 9000 kg     |                |
| PRU5791-838  | 5791 mm | 838 mm (Standard)    | 9000 kg     |                |
| PRU6096-838  | 6096 mm | 838 mm (Standard)    | 9000 kg     |                |
| PRU6705-838  | 6705 mm | 838 mm (Standard)    | 9000 kg     |                |
| PRU7658-838  | 7658 mm | 838 mm (Standard)    | 9000 kg     |                |
| PRU914-1219  | 914 mm  | 1219 mm (Extra Wide) | 9000 kg     |                |
| PRU2438-1219 | 2438 mm | 1219 mm (Extra Wide) | 9000 kg     |                |
| PRU3048-1219 | 3048 mm | 1219 mm (Extra Wide) | 9000 kg     |                |
| PRU3658-1219 | 3658 mm | 1219 mm (Extra Wide) | 9000 kg     |                |
| PRU4267-1219 | 4267 mm | 1219 mm (Extra Wide) | 9000 kg     |                |
| PRU4877-1219 | 4877 mm | 1219 mm (Extra Wide) | 9000 kg     |                |
| PRU5791-1219 | 5791 mm | 1219 mm (Extra Wide) | 9000 kg     |                |
| PRU6096-1219 | 6096 mm | 1219 mm (Extra Wide) | 9000 kg     |                |

## PALLET RACKING BEAMS WITH DIMENSIONS

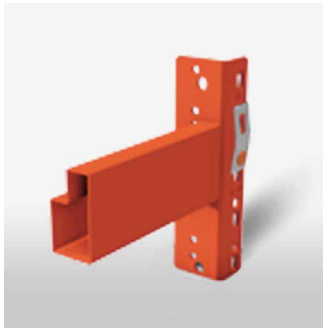
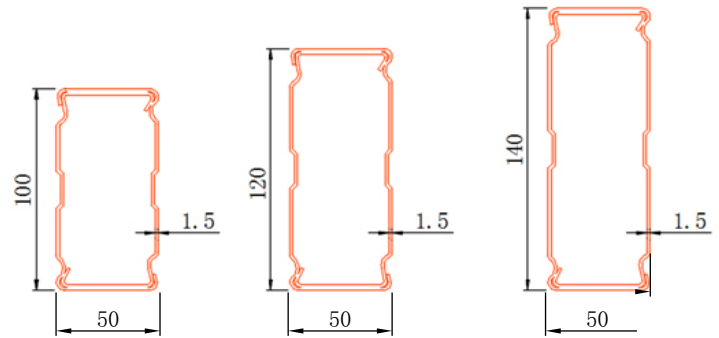
All standard beams are made from thick high tensile steel. A powder coated finish creates a durable, hard wearing surface for even the harshest warehouse environments.



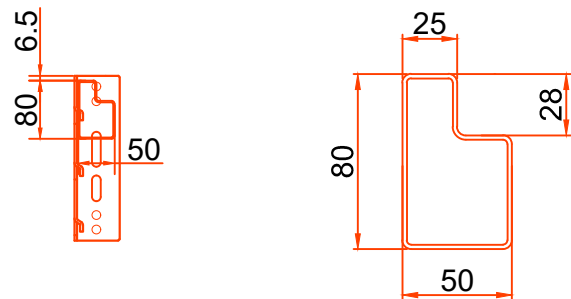
**Box Beam 3 connectors**  
Our standard versatile beam to suit lighter Pallet Storage



**Box Beam 4 connectors**  
Our standard versatile beam to suit heavier Pallet Storage



**Stepped Beam**  
Our beam designed to accommodate timber for picking levels



## PALLET RACKING BEAMS | UNIDEX RANGE

| Code        | Length  | Profile         | Safe Working Load (SWL) | Style        | RRP inc GST |
|-------------|---------|-----------------|-------------------------|--------------|-------------|
| PRB1372-80  | 1372 mm | *80 x 50 mm     | 2758 kg                 | Box Beam     |             |
| PRB2591-100 | 2591 mm | 100 x 50 mm     | 2000 kg                 | Box Beam     |             |
| PRB2591-120 | 2591 mm | 120 x 50 mm     | 2926 kg                 | Box Beam     |             |
| PRB2743-100 | 2743 mm | 100 x 50 mm     | 2172 kg                 | Box Beam     |             |
| PRB2743-120 | 2743 mm | 120 x 50 mm     | 2763 kg                 | Box Beam     |             |
| PRB3048-120 | 3048 mm | 120 x 50 mm     | 2200 kg                 | Box Beam     |             |
| PRSB1829    | 1829 mm | 80 x 50 x 25 mm | 1000 kg                 | Stepped Beam |             |
| PRSB2591    | 2591 mm | 80 x 50 x 25 mm | 650 kg                  | Stepped Beam |             |

NOTE:\* shows a 3 hook beam

## PALLET RACKING ACCESSORIES

| Code                   | Description   | RRP<br>inc GST |
|------------------------|---|----------------|
| PRB1372-80             | Pallet Racking Beam 1372mm x 80 mm (2000kg)                             |                |
| PRB2591-100            | Pallet Racking Beam 2591mm x 100mm (2000kg)                             |                |
| PRB2591-120            | Pallet Racking Beam 2591mm x 120mm (2926kg)                             |                |
| PRB2743-100            | Pallet Racking Beam 2743mm x 100mm (2172kg)                             |                |
| PRB2743-120            | Pallet Racking Beam 2743mm x 120mm (2763kg)                             |                |
| PRB3048-120            | Pallet Racking Beam 3048mm x 120mm x 50mm (2200kg)                      |                |
| PR-BP                  | Pallet Racking Base Plate   |                |
| PR-CAP                 | Pallet Racking Upright End Cap  |                |
| PR-DA750               | Pallet Racking Divider Arm 750mm  |                |
| PR-JLOCK-L             | Pallet Racking J Lock Left Hand Side                                    |                |
| PR-JLOCK-R             | Pallet Racking J Lock Right Hand Side                                   |                |
| PR-RS380               | Pallet Racking Row Spacer 380mm   |                |
| PR-RS457               | Pallet Racking Row Spacer 457mm   |                |
| PRSB1829               | Pallet Racking Step Beam 1829mm (1000kg)                                |                |
| PRSB2591               | Pallet Racking Step Beam 2591mm (650kg)                                 |                |
| PR-SPLICE              | Splice Kit - 2 x Plates + 5 x Tube Spacers + 5 x Nuts and Bolts per kit |                |
| PR-TSB1219             | Pallet Racking Timber Support Bar 1219mm                                |                |
| PR-TSB838              | Pallet Racking Timber Support Bar 838mm                                 |                |
| PR-TSB838(Plain Steel) | Pallet Racking Timber Support Bar 838mm (Plain Steel)                   |                |
| PRUDB1219              | Diagonal Brace 1219mm   |                |
| PRUDB838               | Diagonal Brace 838mm  |                |
| PRUHB1219              | Horizontal Brace 1219mm   |                |
| PRUHB838               | Horizontal Brace 838mm  |                |
| PRUP2438               | Pallet Racking 2438mm Upright Post Only                                 |                |
| PRUP3048               | Pallet Racking 3048mm Upright Post Only                                 |                |
| PRUP3658               | Pallet Racking 3658mm Upright Post Only                                 |                |
| PRUP4267               | Pallet Racking 4267mm Upright Post Only                                 |                |
| PRUP4877               | Pallet Racking 4877mm Upright Post Only                                 |                |
| PRUP5791               | Pallet Racking 5791mm Upright Post Only                                 |                |
| PRUP6096               | Pallet Racking 6096mm Upright Post Only                                 |                |
| PRUP6705               | Pallet Racking 6705mm Upright Post Only                                 |                |
| PRUP7658               | Pallet Racking 7658mm Upright Post Only                                 |                |
| PRUP914                | Pallet Racking 914mm Upright Post Only                                  |                |
| PRUS                   | Frame Brace Spacer  |                |
| PR-WD                  | Pallet Racking Wire Deck  |                |

