



PRODUCT OVERVIEW

The Unirack Range of Pallet Racking is our latest and most popular range of racking. It was specifically designed & manufactured for us. In times where the market is flooded with low quality products and inconsistent racking, we made it our priority to deliver the service our customers need and offer premium quality as well as maintain consistent high standards for 20 years now. We invite you to take a look at our products and you will see the difference.

KEY FEATURES

- Safety locking system that locks together
- Compatible with a number of existing systems
- Extra strong galvanised uprights
- Powdercoated beams with 5 hook connectors
- Various lengths, widths, heights available
- Heavy duty wrap around base plates with quality welds



PALLET RACKING COMPONENTS

Upright

Uprights come in a standard galvanised or custom order painted finish and bring all the rigour and safety of AS4084 standard compliance. Uprights are made with high strength 2mm thick steel, ensuring they have maximum durability and structural robustness.

Beam

All beams are provided with five hook connectors. Five-point connectivity provides increased stiffness between the upright and the beam, which increases the beam's load carrying capacity and the lateral stability of the rack structure.

Locking Pins

Fitted as standard, gravity pins safely lock in place preventing the beam from accidentally being dislodged. Uplift load in accordance with AS4084.

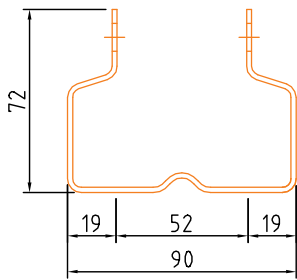
Base Plate

Base plates wrap around the uprights making the frame stronger and more rigid. They meet all loaded conditions safely, leveling with shim plates and fixing with dynabolts included.

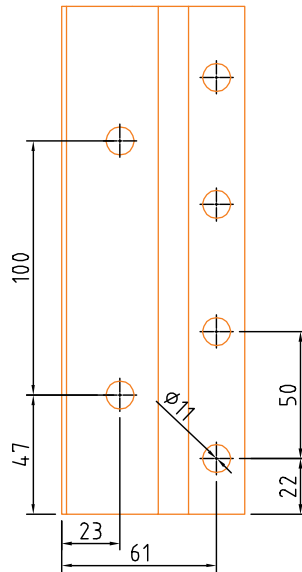
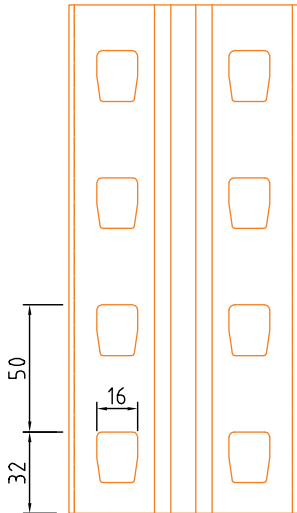


PALLET RACKING UPRIGHTS WITH DIMENSIONS

High solidity and smart section design are combined to provide maximum upright strength at minimum cost. What is more, this steel also has a high percentage of elongation making it more pliable than other steels.



Pitch = 50 mm



Upright

Supplied with galvanised finish for long-life performance

Standard Upright

838 mm wide

Extra Wide Upright

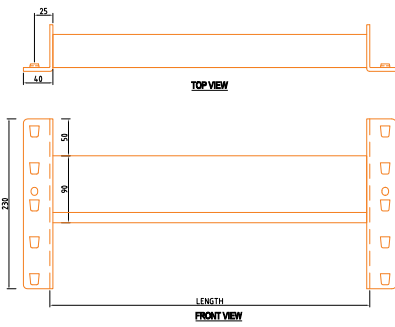
1219 mm wide

PALLET RACKING UPRIGHTS | UNIRACK RANGE

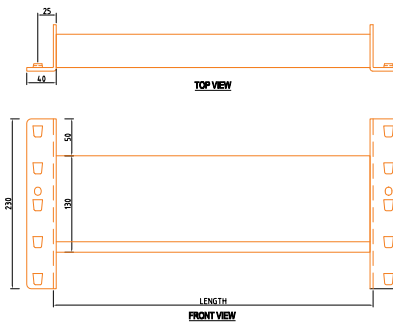
Code	Height	RRP inc GST	Style	Load Rating
PRPU2500-838	2500 mm		838 mm (Standard)	9000 kg
PRPU3000-838	3000 mm		838 mm (Standard)	9000 kg
PRPU3600-838	3600 mm		838 mm (Standard)	9000 kg
PRPU4200-838	4200 mm		838 mm (Standard)	9000 kg
PRPU4800-838	4800 mm		838 mm (Standard)	9000 kg
PRPU5800-838	5800 mm		838 mm (Standard)	9000 kg
PRPU6100-838	6100 mm		838 mm (Standard)	9000 kg
PRPU7500-838	7500 mm		838 mm (Standard)	9000 kg
PRPU2500-1219	2500 mm		1219 mm (Extra Wide)	9000 kg
PRPU3000-1219	3000 mm		1219 mm (Extra Wide)	9000 kg
PRPU3600-1219	3600 mm		1219 mm (Extra Wide)	9000 kg
PRPU4200-1219	4200 mm		1219 mm (Extra Wide)	9000 kg
PRPU4800-1219	4800 mm		1219 mm (Extra Wide)	9000 kg
PRPU5800-1219	5800 mm		1219 mm (Extra Wide)	9000 kg
PRPU6100-1219	6100 mm		1219 mm (Extra Wide)	9000 kg
PRPU7500-1219	7500 mm		1219 mm (Extra Wide)	9000 kg

PALLET RACKING BEAMS WITH DIMENSIONS

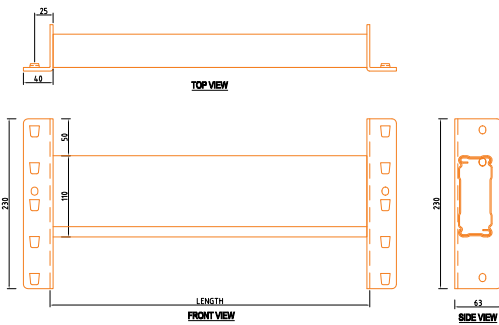
Unirack offers a wide variety of beams for adjustable pallet racking to meet diverse requirements, balancing the needs of structural performance, cost and durability. All standard beams are made from thick high tensile steel. A powder coated finish creates a durable hard wearing surface for even the harshest warehouse environments.



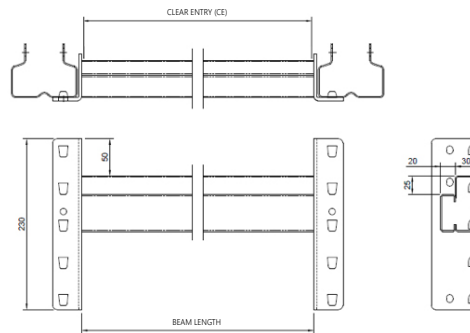
BOX BEAM 90MM X 45MM



BOX BEAM 130MM X 45MM



BOX BEAM 110MM X 45MM

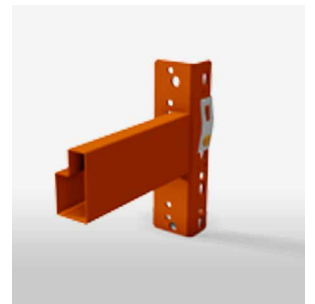


STEP BEAM 75MM X 50MM



Box Beam

Our standard versatile beam to suit Pallet Storage



Stepped Beam

To fit Timber boards on picking levels

PALLET RACKING BEAMS | UNIRACK RANGE

Code	Length	Profile	Safe Working Load (SWL)	RRP inc GST	Style
PRPB1372-75	1372 mm	75 x 45 mm	2550 kg		Box Beam
PRPB1829-75	1829 mm	75 x 45 mm	1530 kg		Box Beam
PRPB2591-75	2591 mm	75 x 45 mm	950 kg		Box Beam
PRPB2591-90	2591 mm	90 x 45 mm	1550 kg		Box Beam
PRPB2591-110	2591 mm	110 x 45 mm	2440 kg		Box Beam
PRPB2591-130	2591 mm	130 x 45 mm	3150 kg		Box Beam
PRPB2591-150	2591 mm	150 x 45 mm	4400 kg		Box Beam
PRPB2743-75	2743 mm	75 x 45 mm	750 kg		Box Beam
PRPB2743-90	2743 mm	90 x 45 mm	1360 kg		Box Beam
PRPB2743-110	2743 mm	110 x 45 mm	2177 kg		Box Beam
PRPB2743-130	2743 mm	130 x 45 mm	3058 kg		Box Beam
PRPB2743-150	2743 mm	150 x 45 mm	4070 kg		Box Beam
PRPB3048-110	3048 mm	110 x 45 mm	1696 kg		Box Beam
PRPB3048-130	3048 mm	130 x 45 mm	2462 kg		Box Beam
PRPB3048-150	3048 mm	150 x 45 mm	3319 kg		Box Beam
PRPB3810-130	3810 mm	130 x 45 mm	1522 kg		Box Beam
PRPB3810-150	3810 mm	150 x 45 mm	2038 kg		Box Beam
PRPSB1829	1829 mm	75 x 50 x 25 mm Step	1000 kg		Stepped Beam
PRPSB2591	2591 mm	75 x 50 x 25 mm Step	750 kg		Stepped Beam

PALLET RACKING ACCESSORIES

Code	Product Name	Description	RRP inc GST
PR-DYNA75	Dyna Bolt - 75	For Securing to Floor - 75mm x 12mm	\$1.40
ML-L	Magnetic Label Large	Magnet Lable Large	
ML-M	Magnetic Label Medium	Magnet Lable Medium	
PR-HDBP	Heavy Duty Base Plate	Base Plate for Upright to Increase Capacity	\$13.00
PR-MDF1829-25-ST	MDF Board - 1829	25mm MDF Board to Suit Step Beam 1829mm	\$88.00
PR-MDF2591-25-ST	MDF Board - 2591	25mm MDF Board to Suit Step Beam 2591mm	\$88.00
PR-PB1372-18-835	Particle Board - 1372	18mm Particle Board to Suit Timber Support Bars 1372mm	\$29.00
PR-PB1829-18-835	Particle Board - 1829	18mm Particle Board to Suit Timber Support Bars 1829mm	\$35.00
PR-PB2591-18-835	Particle Board - 2591	18mm Particle Board to Suit Timber Support Bars 2591mm	\$35.00
PR-PB2743-18-835	Particle Board - 2743	18mm Particle Board to Suit Timber Support Bars 2743mm	\$39.00
PR-PB3048-18-835	Particle Board - 3048	18mm Particle Board to Suit Timber Support Bars 3048mm	\$55.00
PR-SDW	Shelf Divider	Pallet Racking - Shelf Divider Wire	
PR-WD-GAL-1350x1220	Galvanised Wire Decking	To Suit 2743 Beams at 1219mm - 1 Tonne Capacity	\$62.00
PR-WD-GAL-1350x840	Galvanised Wire Decking	To Suit 2743 Beams at 838mm - 1 Tonne Capacity	\$45.00
PR-WD-GAL-1250x840	Galvanised Wire Decking	To Suit 2591 Beams at 838mm - 1 Tonne Capacity	\$45.00
PR-WD-GAL-1250x1220	Galvanised Wire Decking	To Suit 2591 Beams at 1219mm - 1 Tonne Capacity	\$55.00
PRB-LP	Locking Pins	Universal Gravity Beam Locking Pins	\$1.00
PRP-CAP	End Cap	To Fit Standard Uprights in Workbenches	\$4.00
PRP-CCRDH-838	Pallet Racking Support Cable	Support Cable Drum Bracket 838mm	\$220.00
PRP-DA750	Divider Arm 750mm	Beam Divider Arm 750mm - Orange	\$15.00
PRP-FBM1372-1000	Fall Barrier Mesh	To Suit Bay Spacing of 1372mm (W) x 1000mm (H)	\$70.00
PRP-FBM1372-1500	Fall Barrier Mesh	To Suit Bay Spacing of 1372mm (W) x 1500mm (H)	\$95.00
PRP-FBM2591-1000	Fall Barrier Mesh	To Suit Bay Spacing of 2591mm (W) x 1000mm (H)	\$115.00
PRP-FBM2591-1500	Fall Barrier Mesh	To Suit Bay Spacing of 2591mm (W) x 1500mm (H)	\$150.00
PRP-FBM2743-1000	Fall Barrier Mesh	To Suit Bay Spacing of 2743mm (W) x 1000mm (H)	\$115.00
PRP-FBM2743-1500	Fall Barrier Mesh	To Suit Bay Spacing of 2743mm (W) x 1500mm (H)	\$155.00
PRP-FBMB	Mounting Bracket	Fall Barrier Mesh Mounting Bracket (4 Per Panel)	\$10.00
PRP-FEB-1219	Fork Entry Bars	Used To Store Non Palletised Stock	\$30.00
PRP-FEB-838	Fork Entry Bars	Used To Store Non Palletised Stock	\$25.00
PR-JLOCK	J Lock - Pair (Left & Right)	Used To Store Cable Reels	\$24.00
PRP-RS457	Row Spacers	To Join Uprights Back-to-Back	\$8.50
PRP-SHIM1MM	Shim Plate	To Level Racking Upright Uneven Floor (1mm)	\$2.00
PRP-SHIM5MM	Shim Plate	To Level Racking Upright Uneven Floor (5mm)	\$5.00
PRP-SPLICE	Pallet Racking Splice Kit	Used to Join Two Uprights Together	\$14.00
PRP-TSB1219	Timber Support Bars	Pallet Racking Prestar Timber Support Bar 1219mm	\$15.00
PRP-TSB838	Timber Support Bars	Pallet Racking Prestar Timber Support Bar 838mm	\$13.00
PRP-UPL	L Type Corner Protector	L Shaped To Protect Upright From Impact	\$41.00
PRP-UPU	U Type Corner Protector	U Shaped To Protect Upright From Impact	\$57.00
PRP-WB	Pallet Racking Wheel Bracket	Wheel Bracket - Orange	\$5.00
PRP-WHB	Pallet Racking Prestar Wheel	Wheel Assembly Nylon 100mm 190kg with Brake	\$24.50
PRP-WHNB	Pallet Racking Prestar Wheel	Wheel Assembly Nylon 100mm 190kg No Brake	\$20.00
SWLS	Safe Working Load Sticker	Load sticker	\$0.75
SWS	Safe Working Sign	Working Sign	\$40.00
Zclips	Z Clips	To Support Timber Board in Standard 45mm Beams	\$2.00

