



PRODUCT OVERVIEW

The Unidex range is our original and oldest range of Selective Pallet Racking, having stocked and sold it for 10 years. Over that time, we have fitted out supply warehouses, manufacturing facilities, retail centres, and other storage and distribution facilities with this range. Hence, we are confident that it lasts. The design has not changed since, so if you are looking at adding to an existing system, it will very likely match this range.

KEY FEATURES

- Safety locking system that locks together
- Easy to assemble and modify as required
- Long lasting galvanised uprights
- Powder coated beams with 4 hook connectors
- Various lengths, widths, heights available
- Heavy duty base plates

PALLET RACKING COMPONENTS

Upright

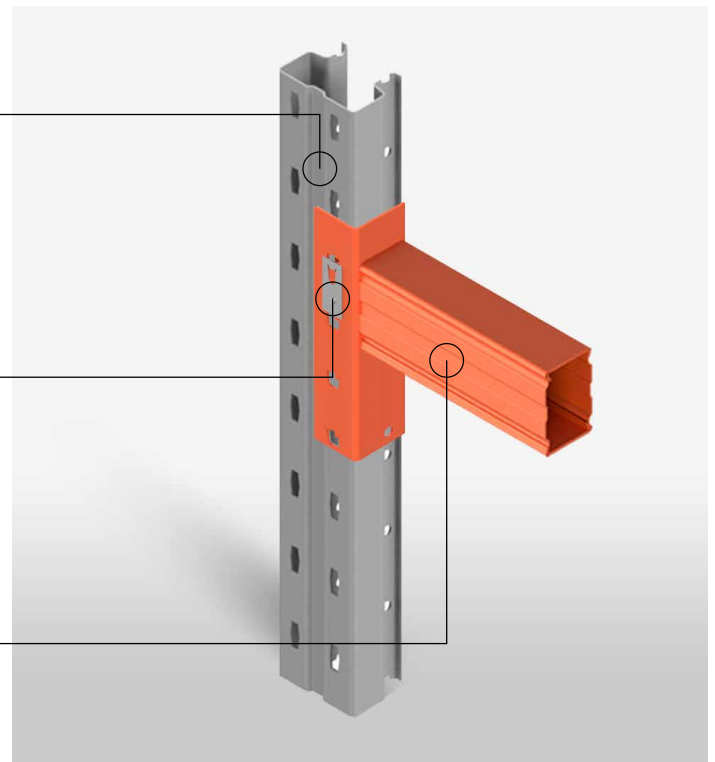
Standard uprights come in a galvanised finish, bringing all the rigour and safety of AS4084 standard compliance. Uprights are made with high strength steel ensuring they have maximum durability and structural robustness.

Locking Pins

Fitted as standard, spring loaded pins safely lock in place preventing the beam from accidentally being dislodged. Uplift load in accordance with AS4084.

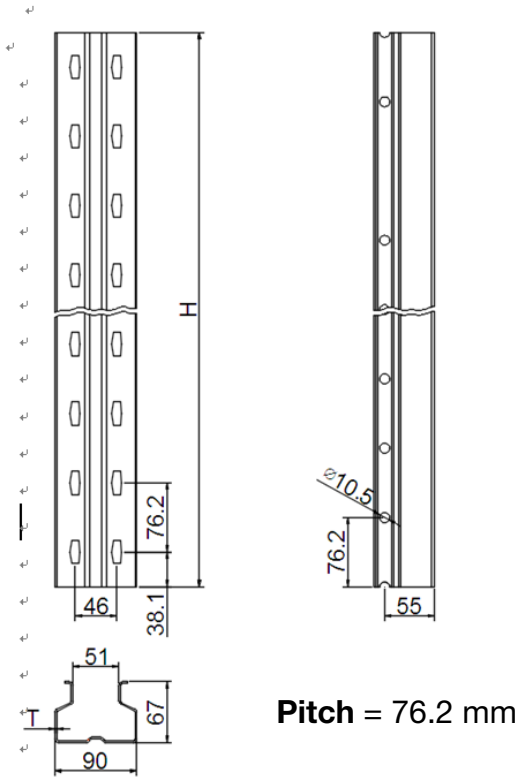
Beam

Most beam are provided with four hook connectors. Four-point connectivity provides increased stiffness between the upright and the beam, which increases the beam's load carrying capacity and the lateral stability of the rack structure.



PALLET RACKING UPRIGHTS WITH DIMENSIONS

High solidity and smart section design are combined to provide maximum upright strength at minimum cost. The Unidex design is one of the most tried and tested on the market, having been used for over 20 years. This makes it the perfect choice: Not only is it reliable but mostly compatible with existing systems.



Upright

Supplied with galvanised uprights

Standard Upright

838 mm wide

Extra Wide Upright

1219 mm wide

PALLET RACKING UPRIGHTS | UNIDEX RANGE

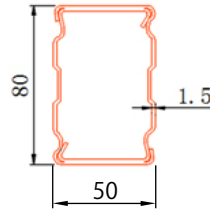
Code	Height	RRP inc GST	Style	Load Rating
PRU914-838	914 mm		838 mm (Standard)	9000 kg
PRU2438-838	2438 mm		838 mm (Standard)	9000 kg
PRU3048-838	3048 mm		838 mm (Standard)	9000 kg
PRU3658-838	3658 mm		838 mm (Standard)	9000 kg
PRU4267-838	4267 mm		838 mm (Standard)	9000 kg
PRU4877-838	4877 mm		838 mm (Standard)	9000 kg
PRU5791-838	5791 mm		838 mm (Standard)	9000 kg
PRU6096-838	6096 mm		838 mm (Standard)	9000 kg
PRU6705-838	6705 mm		838 mm (Standard)	9000 kg
PRU7658-838	7658 mm		838 mm (Standard)	9000 kg
PRU2438-1219	2438 mm		1219 mm (Extra Wide)	9000 kg
PRU3048-1219	3048 mm		1219 mm (Extra Wide)	9000 kg
PRU3658-1219	3658 mm		1219 mm (Extra Wide)	9000 kg
PRU4267-1219	4267 mm		1219 mm (Extra Wide)	9000 kg
PRU4877-1219	4877 mm		1219 mm (Extra Wide)	9000 kg
PRU5791-1219	5791 mm		1219 mm (Extra Wide)	9000 kg
PRU6096-1219	6096 mm		1219 mm (Extra Wide)	9000 kg
PRU7658-1219	7658 mm		1219 mm (Extra Wide)	9000 kg
PRU914-1219	914 mm		1219 mm (Extra Wide)	9000 kg

PALLET RACKING BEAMS WITH DIMENSIONS

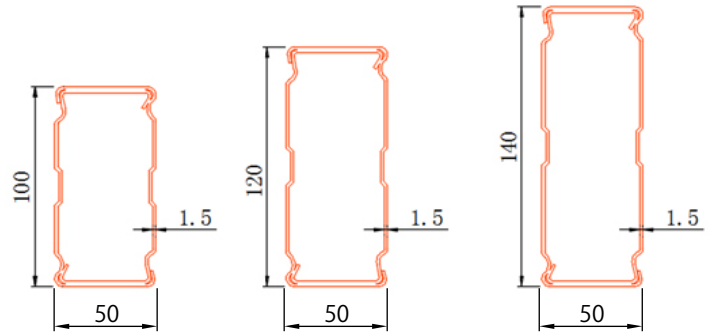
All standard beams are made from thick high tensile steel. A powder coated finish creates a durable, hard wearing surface for even the harshest warehouse environments.



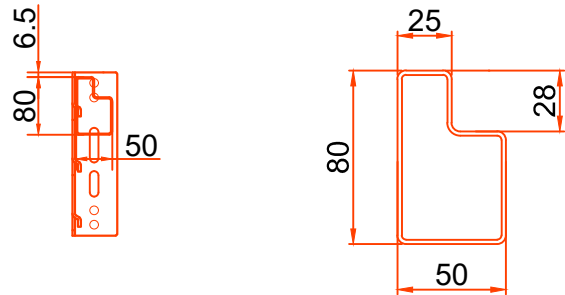
Box Beam 3 connectors
Our standard versatile beam to suit lighter Pallet Storage



Box Beam 4 connectors
Our standard versatile beam to suit heavier Pallet Storage



Stepped Beam
Our beam designed to accommodate timber for picking levels



PALLET RACKING BEAMS | UNIDEX RANGE

Code	Length	Profile	Safe Working Load (SWL)	RRP <small>inc GST</small>	Style
B-1372	1372 mm	* 80 x 50 mm	2750 kg		Box Beam
B-1829	1829 mm	* 80 x 50 mm	2100 kg		Box Beam
B-2591-80	2591 mm	* 80 x 50 mm	1315 kg		Box Beam
B-2591-100	2591 mm	100 x 50 mm	2300 kg		Box Beam
B-2591-120	2591 mm	120 x 50 mm	2900 kg		Box Beam
B-2743-100	2743 mm	100 x 50 mm	2100 kg		Box Beam
B-2743-120	2743 mm	120 x 50 mm	2750 kg		Box Beam
B-3048-120	3048 mm	120 x 50 mm	2400 kg		Box Beam
B-3810-140	3810 mm	140 x 50 mm	2300 kg		Box Beam
B-1829ST	1829 mm	* 80 x 50 mm	1000 kg		Stepped Beam
B-2591ST	2591 mm	* 80 x 50 mm	650 kg		Stepped Beam

NOTE: * shows a 3 hook beam

PALLET RACKING ACCESSORIES

Code	Product Name	Description	RRP inc GST
LP-PR838	Louvered Panel 838/450	Suitable for Storage Bins 450mm(H) x 838mm(W)	\$39.00
PR-DYNA75	Dyna Bolt - 75	For Securing to Floor - 75mm x 12mm	\$1.40
PR-HDBP-90	Heavy Duty Base Plate	Base Plate for Upright to Increase Capacity	\$13.00
PR-HDBPS90	Heavy Duty Base Plate	Pallet Racking Heavy Duty Base Plate Shim 90mm	\$2.00
PR-BPS90-1	Leveling Plate 1mm	Upright Frame Leveling Plate 1mm	\$2.00
PR-BPS90-5	Leveling Plate 5mm	Upright Frame Leveling Plate 5mm	\$6.00
PR-MDF1829-25-ST	MDF Board - 1829	25mm MDF Board to Suit Step Beam 1829	\$88.00
PR-MDF2591-25-ST	MDF Board - 2591	25mm MDF Board to Suit Step Beam 2591	\$88.00
PR-PB1372-18-835	Particle Board - 1372	18mm Particle Board to Suit Step Beam 1372mm	\$29.00
PR-PB1829-18-835	Particle Board - 1829	18mm Particle Board to Suit Step Beam 1829mm	\$35.00
PR-PB2591-18-835	Particle Board - 2591	18mm Particle Board to Suit Step Beam 2591mm	\$35.00
PR-PB2743-18-835	Particle Board - 2743	18mm Particle Board to Suit Beam 2743mm	\$39.00
PR-PB3048-18-835	Particle Board - 3048	18mm Particle Board to Suit Beam 3048mm	\$55.00
PR-SDW	Shelf Divider	Pallet Racking - Shelf Divider Wire	
PR-WD-GAL-1250x1220	Galvanised Wire Decking	To Suit 2591 Beams at 1219mm - 1 Tonne Capacity	\$55.00
PR-WD-GAL-1250x840	Galvanised Wire Decking	To Suit 2591 Beams at 838mm - 1 Tonne Capacity	\$45.00
PR-WD-GAL-1350x1220	Galvanised Wire Decking	To Suit 2743 Beams at 1219mm - 1 Tonne Capacity	\$62.00
PR-WD-GAL-1350x840	Galvanised Wire Decking	To Suit 2743 Beams at 838mm - 1 Tonne Capacity	\$45.00
PR-WHEELNB80	Pallet Racking Wheel Castor)	Castor Wheel (With Out Brake) To suit 80mm Upright Frame	\$24.50
PR-WHEELNB90	Pallet Racking Wheel (Castor)	Castor Wheel (With Out Brake) To suit 90mm Upright Frame	\$20.00
PR-WHEELWB80	Pallet Racking Wheel (Castor)	Castor Wheel (With Brake) To suit 80mm Upright Frame	\$24.50
PR-WHEELWB90	Pallet Racking Wheel (Castor)	Castor Wheel (With Brake) To suit 90mm Upright Frame	\$24.50
PRB-LP	Locking Pins	Spring Loaded Safety Pins	\$1.00
PRP-CAP	End Cap	To Fit Standard Uprights in Workbenches	\$4.00
SR76FP5022	Double End Row Protector	500mm (H) x 2200mm (W) - 76mm Tube Yellow	\$125.00
SR76FP5090	Single End Row Protector	500mm (H) x 900mm (W) - 76mm Tube Yellow	\$60.00
SWLS	Safe Working Load Sticker	Load Sticker	\$0.75
SWS	Safe Working Sign	Working Sign	\$40.00
Zclips	Z Clips	To Support Timber Board in Standard 45mm Beams	\$2.00

